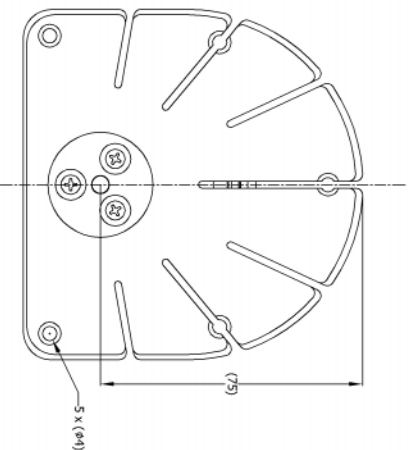
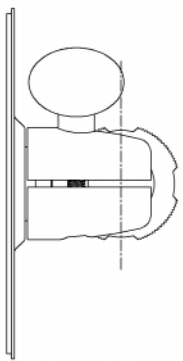
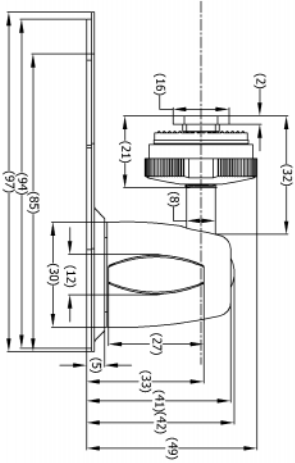
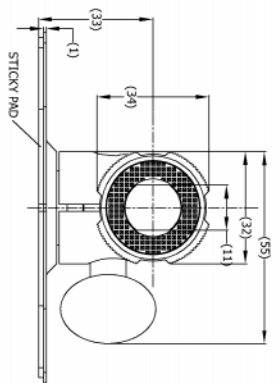
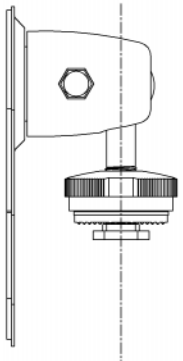
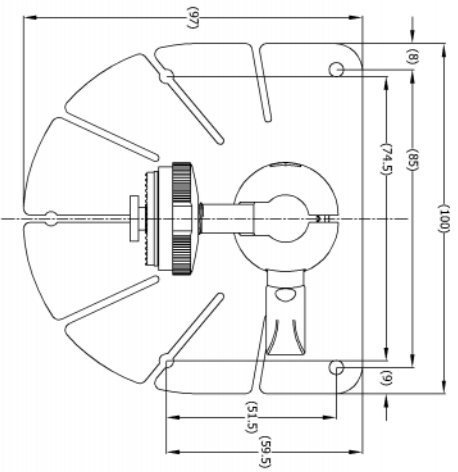
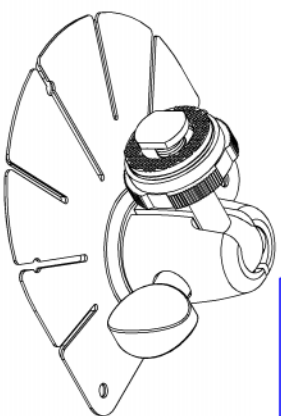


Revision Notes:			
1. DIMENSIONS UPDATED AS ORIGINALLY ISSUED INCORRECTLY.			
Checked By: AL	Approved By: DK	Date Released: 01/02/2010	
2. DIMENSIONS UPDATED			
Checked By: LB	Approved By: DK	Date Released: 26/04/2011	
3. TEMPLATE UPDATED.			
Checked By: LB	Approved By: DK	Date Released: 19/03/2012	



NOTES:
MATERIAL IS STEEL
FINISH IS PAINTED BLACK
DIMENSIONS IN MM

PROPRIETARY NOTICE
 THIS DESIGN AND TECHNICAL INFORMATION APPEARING ON THIS DRAWING IS THE PROPERTY OF BRIGADE ELECTRONICS AND IS DISCLOSED IN CONFIDENCE. IT IS NOT TO BE COPIED, REPRODUCED, REVEALED TO OR EXPLOITED BY OTHERS, EITHER IN WHOLE OR IN PART WITHOUT THE EXPRESS WRITTEN CONSENT OF BRIGADE ELECTRONICS.

BRIGADE
 www.brigade-electronics.com

Assembly PI Approval Xinyu Huang(21/02/12)	Approved by S.MATTHEWS	Checked by DKERAL	Drawn by M.BUTLER
Angle of Projection	Units mm	Scale N/A	Released 02/09/09
Third Angle	Status RELEASED	Stock Code 3148A	Assembly Ref 32030034200
			BMM-015
			BE-000895-03-09